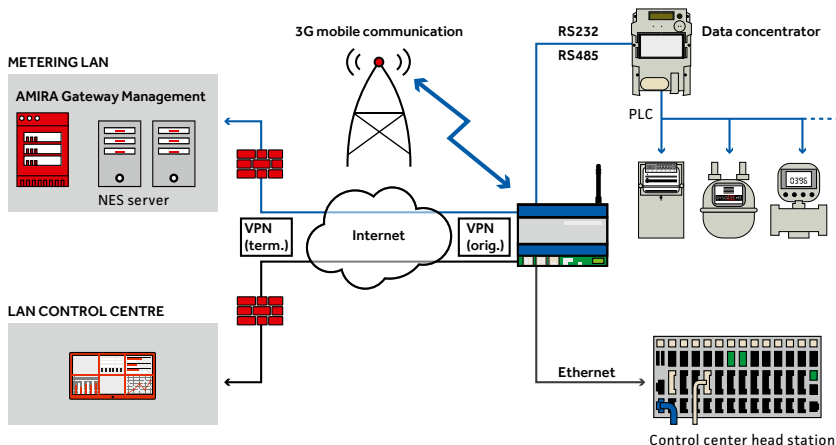




EasyGateway® V52 The Security Appliance for Energy Supply Companies

The successful EasyGateway® family has a new member! The latest addition – the EasyGateway® V52 – ensures security and productivity, whether for the access to your internal networks or for the data exchange in your environments. Secure and direct Internet communication via VPN and a broad spectrum of local serial interfaces turn the EasyGateway® V52 into a communication genius.



Application example



Mobile communication –
Module can be exchanged

Technical Specifications – Edge Device

	EG V50	EG V505	EG V52	EG V525
LAN/WAN communication				
Unrestricted Internet capability / secure protocols / Push-mode / Plug-in and/or soldered SIM			✓	
Mobile transmission UMTS/HSPA+	✓			Plug-in mobile module
LTE mobile transmission: Cat 1, Cat4, Cat M1, Cat NB1	Optional			Plug-in mobile module
External antenna connection with SMA antenna socket	Standard			
Internal antenna	Optional, in place of SMA antenna socket			
WAN Ethernet connection	10/100 mbps			
LAN Ethernet connection	-		2 x 10/100 mbps Switch Port	
Serial interfaces				
RS485 on RJ12 and/or WAGO terminal block			✓	
Enclosure and power supply				
DIN rail mount enclosure 6 units / cover IP30 (wall mount) / lead sealing option			✓	
Power supply	85 – 264 V AC			
Internal UPS (option)	> 2 minutes			
Display and control elements				
LED bicolor, commissioning/operation	3			
LED communication status	Mobile / Ethernet			
User key / Reset key	✓			
Environment				
Temperature	0 to 70°C / optional -20 to +85 °C	-20 to +85 °C	0 to 70°C / optional -20 to +85 °C	-20 to +85 °C
Relative humidity	max. 95% (plug-in SIM 90%)			
Hardware				
CPU	Cortex A5 400 MHz	Cortex A5 500 MHz + M4 167 MHz	Cortex A5 400 MHz	Cortex A5 500 MHz + M4 167 MHz
Random-access memory (RAM)	128 MB	256 MHz	128 MB	256 MHz
NAND flash memory	128 MB	512 MHz	128 MB	512 MHz
Software				
LINUX operating system, secure Internet communication, C2C / Router/Firewall			✓	
Metering specific functions				
Up to 32 energy meters / meter type independent reading of electricity, gas, heat and water meters / meter logs IEC, DLMS, M-Bus / Modbus protocol (RTU and IP) / configurable meter data recording and forwarding / load output recording up to 5 channels with OBIS and unit translation			✓	
Extensions				
RS485 interface with feed or	Internal slot + RJ12			
RS232 or	Internal slot + RJ12			
Mbus or	Internal slot + WAGO terminal block			
CL or	Internal slot + WAGO terminal block			
EG IE extension	Internal slot + RJ45 shielded			
WAN fibre connection	External DIN rail adapter			